



## ANB1 High Noise Reduction Silencer - 38dB(A) ANB1-04

### Data Sheet

The high noise reduction style silencer ANA1 keeps the noise level inside a plant below 85dB(A) with a noise reduction effect of 40dB(A). Series ANB1 has a noise reduction effect of 38dB(A) and has a larger effective area with the same port size as series ANA1. It is also available for common exhaust from manifolds.

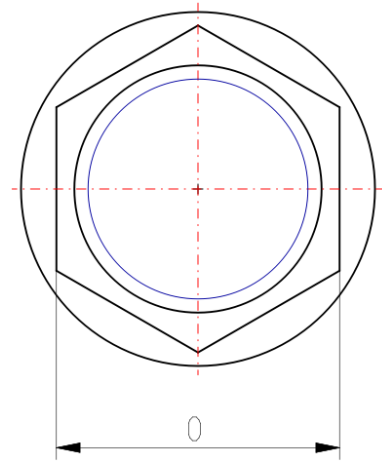
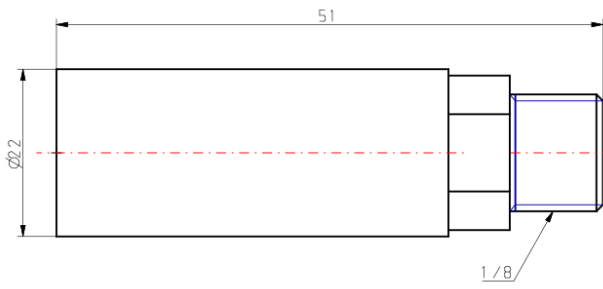


*Silencer*

## Standard Specifications

|  |                |
|--|----------------|
| Pressure medium                        | Compressed Air |
| Maximum temperature of pressure medium | 60 °C          |
| Minimum temperature of pressure medium | 5 °C           |
| Maximum ambient temperature            | 60 °C          |
| Minimum ambient temperature            | 5 °C           |
| Conform to the European RoHS Directive | conform        |
| Pneumatic input connection             | R 1/2          |
| Noise reduction                        | -38 dB (A)     |
| Weight                                 | 0.094 kg       |

## Dimensions



## Additional information

Catalogue

[AN\\_EU.pdf](#)

## Related Products



**VHS40-F04A**  
VHS, Pressure Relief 3 Port Valve with Locking Holes



**VBA42A-F04**  
VBA2#A,4#A, Booster Regulator



**IR3020-04**  
IR1000~3000, Precision Regulator



**AV4000**  
AV2000/3000/4000/5000 Series, Soft Start-up Valve



**VH400-F04**  
VH, Hand Valve



**VGA342-04F**  
VGA342, 3 Port Air Operated Valve



**AQ5000-F04**  
AQ, Quick Exhaust Valve, Metric